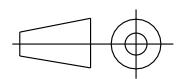
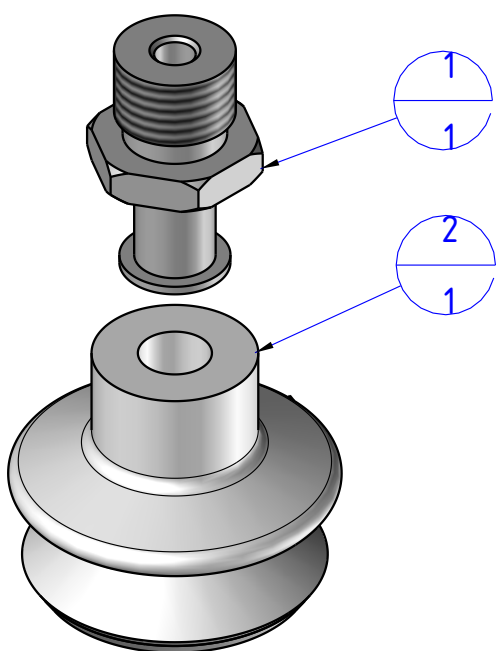
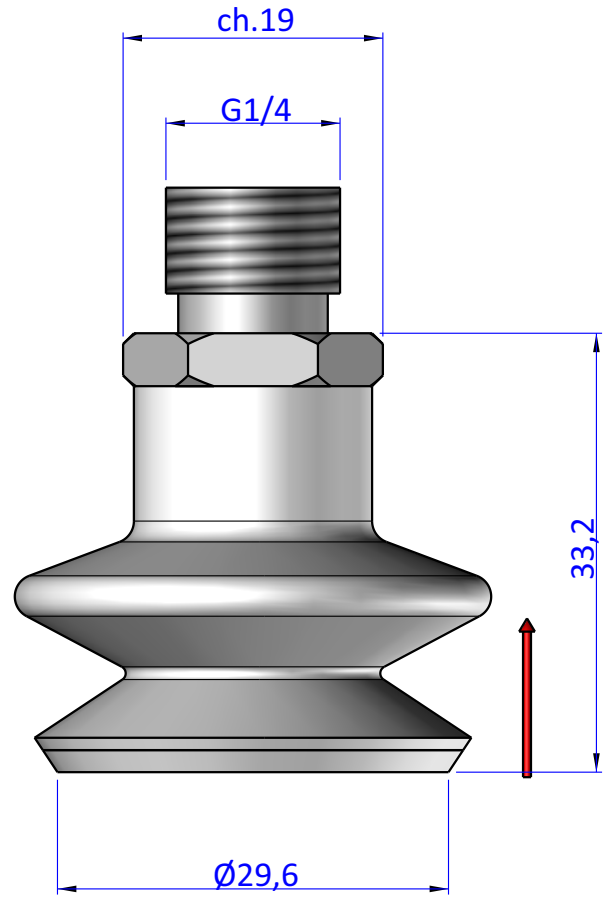


THE PROPERTY OF THE DRAWING IS ESTABLISHED BY LAW. IT IS FORBIDDEN TO PRODUCE OR SHOW IT TO THIRD PART. WITHOUT A WRITTEN AGREEMENT.

Item	Name	Q.ty
1	CA.08.09.021	1
2	CA.08.26.D33.AS	1



DESIGNED FROM <b>FPS Automation</b>		REVIEW <b>A</b>
DATE <b>04/11/2020</b>	WEIGHT <b>0,018kg</b>	
CODE <b>KIT.08.26.D33.21</b>		

Format **A4**  
**UNI 936-76**

GENERAL TOLERANCE  
UNI - ISO 2768  
CLASSE **f**

DESCRIPTION  
**KIT.08.26.D33.21**